

1080p 30x Zoom Explosion-Proof IP PTZ Cameras

HEPZ302W0

Honeywell's latest explosion-protected PTZ network camera is a good fit for onshore, offshore, marine, and heavy industrial installations in hazardous and challenging environments. The camera features a 316L stainless steel housing certified for hazardous areas according to ATEX, IECEx, and UL. The housing prevents any interior sparks or explosions from escaping and igniting the gases or dust in the surrounding air. The HEPZ cameras provide extremely crisp video with up to 2 million effective pixels, 30x optical zoom, and True Day/Night WDR for continuous surveillance in both hazardous and safe area applications.

Explosion-Proof Certification

- ATEX, IECEx, UL certified with AISI 316L stainless steel construction
- Certifications for use in Zone 1 and 2, Group IIC T6 (Gas), and in Zone 21 and 22, Group IIIC T85° (Dust)
- Certified temperature for explosion-proof applications: -40°C to 60°C (-40°F to 140°F)
- 3/4" NPT threaded hole for use of cable glands or conduit
- IP66 rating guarantees complete protection against harsh weather

Flexible Surveillance Solution

- 1080p 60 fps and 30x optical zoom lens for the flexibility to clearly view the target area with desired depth of view
- H.265, H.264 and MJPEG codec, triple stream support
- Support for unicast and multicast mode for streaming
- ONVIF Profile S and Q compliant
- Supports face detection, real-time intrusion detection and unauthorized loitering detection* analytics
- Security features include individual signed certificates and data encryption



Easy to Install and Use

- 24 VAC power input
- Built-in heater
- Integrated sunshield, wiper, and optional washer system (ATEX certified only), operated from the web client or special system preset
- Optional 4 m or 10 m multipolar armored cable with barrier cable gland (ATEX/IECEx certified) and cable tail with conduit cable gland
- Wide range of mounting options
- Remote configuration, motorized zoom adjustments and auto focus through web client

Market Opportunities

The camera features stainless steel housing and offers full HD resolution image quality. They are ideally suited for video surveillance monitoring of onshore, offshore, marine, and heavy industrial environments, such as the oil and gas industries, as well as dusty environments, such as the paper and textile industries.

FEATURES AND BENEFITS

- | | | | | |
|---|---|--|--|---|
| <ul style="list-style-type: none"> • 4.5–135 mm, F1.6–F4.4, 30x optical zoom lens • 1/2.8" progressive scan image sensor • Excellent low light performance with down to 0.0005 lux B/W | <ul style="list-style-type: none"> • Up to 50/60 fps primary stream. Up to 25/30 fps secondary streams • Up to triple stream support • Electronic image stabilizer (EIS) • True WDR: 120 dB | <ul style="list-style-type: none"> • Multiple, selectable compression formats (H.265/H.264/MJPEG) • Support for Face detection, ADPRO IntrusionTrace* and ADPRO LoiterTrace* | <ul style="list-style-type: none"> • Global language support with web GUI and online help in 15 languages • Installation environment temperature: -40°C to 60°C (-40°F to 140°F) • 24 VAC power input | <ul style="list-style-type: none"> • Cyber security hardware chipset built-in • ONVIF profile S and Q compliant • Water resistant IP66 ingress protection rating |
|---|---|--|--|---|

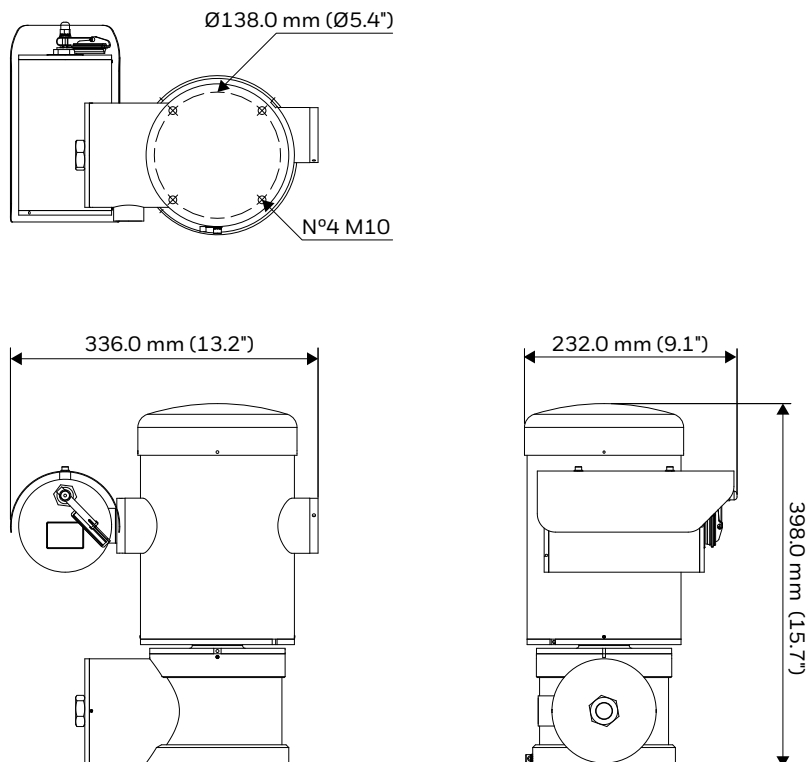
equiP® Series – Explosion-Proof IP PTZ Cameras

FEATURES CONTINUED

The camera can be configured to automatically detect and respond to events such as motion in the scene, alarm inputs, network failure, and/or camera tampering. Automated responses include: sending a notification through email, FTP, and/or HTTP; and sending a still image of the event through email and/or FTP. Setup can be done through a web client.



DIMENSIONS



equiP® Series – Explosion-Proof IP PTZ Cameras Technical Specifications

CAMERA	
IMAGE SENSOR	1/2.8" Sony Progressive CMOS
OPTICAL ZOOM	30x
DIGITAL ZOOM	16x
NUMBER OF PIXELS (H × V)	1920 × 1080 (1080p)
WDR	120 dB
S/N RATIO	≥ 55 dB (AGC off)
MINIMUM ILLUMINATION	0.0187 lux (color)/0.012 lux (B/W) @ F1.6, 30 IRE, 1/30 0.0547 lux (color)/0.0348 lux (B/W) @ F1.6, 50 IRE, 1/30 0.005 lux (color)/0.0005 lux (B/W) @ F1.6, long exposure
FOCAL LENGTH	4.5 mm – 135 mm
MAX APERTURE	F1.6 – F4.4
FOCUS MODE	Manual/Auto/Semiauto/PTZ Trigger
ANGLE OF VIEW	H: 62.35° – 2.53°; V: 37.87° – 1.79°
WHITE BALANCE	Auto/Indoor/Outdoor/ATW/Manual/ Outdoor Auto/ Sodium Lamp Auto/ Sodium Lamp
EXPOSURE MODE	Iris Priority/Shutter Priority/Gain Priority/Manual
ELECTRONIC SHUTTER	1/1 to 1/30,000 sec
BACKLIGHT COMPENSATION	BLC/HLC/WDR (120 dB)
ELECTRONIC IMAGE STABILIZATION	On/Off
DEFOG	On/Off
DAY/NIGHT	Auto/Color/BW
OPERATION	
PAN TRAVEL	360° endless
TILT TRAVEL	-90° to 90°
MANUAL SPEED	0.1 to 100°/s
PRESETS	250
PRESET ACCURACY	±0.02°
PRESET SPEED	0.1 to 100°/s
PTZ MODE	Tour, Auto Pan
IDLE MOTION	Support Preset, Tour
PRIVACY MASKS	24
MOTION DETECTION	On/Off
IMAGE ROTATION	Flip
AUTO RESUME AFTER POWER FAILURE	Preset, Tour, Auto
AUTO TRACKING	Yes
VIDEO ANALYTICS	ADPRO IntrusionTrace*, ADPRO LoiterTrace*, Face Detection
EVENT NOTIFICATION	Record to FTP, Relay output, Email, Preset, Tour, Snapshot
WEB LANGUAGES SUPPORTED	English, Arabic, Czech, Dutch, French, German, Italian, Japanese, Korean, Polish, Portuguese, Russian, Simplified Chinese, Spanish, Turkish
MECHANICAL	
DIMENSIONS	540 mm × 310 mm × 490 mm (21.3" × 12.2" × 19.3")
WEIGHT	Product: 27.5 kg (60.6 lb.); Package: 30.4 kg (67.0 lb.)
HOUSING	AISI 316L Stainless Steel Construction
SUNSHIELD	Yes
WIPER	Yes
THREADED HOLE	3/4" NPT
CONNECTORS	Power input: 3-pin Network: RJ45 connector Alarm I/O: 1/1 (washer control) Hardware Reset: 1

ELECTRICAL	
POWER SOURCE	24 VAC, 120 W Min
POWER CONSUMPTION	24 VAC, 5A, 50/60 Hz
ENVIRONMENTAL	
ATEX	II 2 G Ex d IIC T6 Gb Ta -40°C to 60°C II 2 D Ex tb IIIC T85°C Db Ta -40°C to 60°C
IECEX	Ex d IIC T6 Gb Ta -40°C to 60°C Ex tb IIIC T85°C Db Ta -40°C to 60°C
UL LISTED FOR USA	Class I, Zone 1, AEx d IIC T6 Zone 21, AEx tb IIIC T85°C Class I, Division 2, Groups A, B, C & D Class II, Division 2, Groups F & G
UL LISTED FOR CANADA	Class I, Zone 1, Ex d IIC T6 Gb Class II, Groups E, F & G Class I, Division 2, Groups A, B, C & D Class II, Division 2, Groups F & G
OPERATING TEMPERATURE	-40°C to 60°C (-40°F to 140°F), Cold start -40°C (-40°F)
RELATIVE HUMIDITY	10% to 95%, non-condensing
WATERPROOF STANDARD	IP66 (EN60529)
IP SPECIFICATIONS	
VIDEO COMPRESSION	H.265 / H.264 / MJPEG
VIDEO STREAMING	Primary Stream: 1080p up to 60/50 fps; 1.3M/720p up to 30/25 fps 2nd Stream: 1080p/1.3M/720p up to 30/25 fps 3rd Stream: D1/CIF up to 30/25 fps
VIDEO RESOLUTION	Up to 1080p (1920×1080p)
INTERFACE	RJ-45, 10/100 Mbps Ethernet
SUPPORTED PROTOCOLS**	IPv4/v6, TCP/IP, UDP, RTP, RTSP, HTTP, HTTPS, SSL, ICMP, FTP, SMTP, DHCP, PPPoE, UPnP, IGMP, SNMP, Bonjour, DNS, DDNS, IEEE 802.1x, QoS, NTP, IP Filter, ONVIF, RS485, Pelco P, Pelco D
SECURITY	Multiple user access levels with enhanced password policy, IP filtering, IEEE 802.1x, Strong Digest authentication for Access permission, HTTPS, TLS1.2 only; high strength encrypted algorithm AES-256, SSH/Telnet closed and FTP disabled to reduce surface being attacked, PCI-DSS compliant, built-in cybersecurity hardware chipset
MAXIMUM USERS ACCESS	20 users
SUPPORTED WEB BROWSERS	Internet Explorer® (11.0+), Firefox, Chrome
SUPPORTED OS	Windows® 7 32-bit/64-bit
COMMUNICATION	ONVIF Profile S and Q
REGULATORY	
ATEX	EN60079-0; EN60079-1; EN60079-31
IECEX	IEC 60079-0; IEC 60079-1; IEC 60079-31
UL	UL 60079-0 & C22.2 NO. 60950-0:11; UL 60079-1 & C22.2 NO. 60950-1:11; UL 60079-31 & C22.2 NO. 60950-31:12
EMISSIONS	EN55032; ANSI C63.4-2014, ICE 003 Rev6, AS/NZ CISPR 32:2013
IMMUNITY	EN50130-4
SAFETY	EU: EN60950-1; EN60950-22 UL 60950-1; UL 60950-22 IEC60950-1; IEC60950-22
ROHS	EN50581

* ADPRO® IntrusionTrace™ and ADPRO LoiterTrace™ are Xtralis® video content analytics products. Additional license purchase(s) required. See <http://www.xtralis.com/analytics> for more information.

** Some development may be required in specific user cases to support some of these protocols in the field as they mature over time.

equip® Series – Explosion-Proof IP PTZ Cameras

RECOMMENDED ACCESSORIES

SYSTEM INTEGRATION		ACCESSORIES	
<p>ONVIF support and open API software integration. Refer to www.onvif.org for the ONVIF specification and the Honeywell Open Technology Alliance website (http://www.security.honeywell.com/hota/) to learn more about our open and integrated solutions.</p>		<p>HEPWS</p> 	<p>Washer system kit, with ATEX-certified solenoid valve, delivery head up to 66 ft (20 m), 24 VAC/VDC</p>
		<p>HEPZA04</p> 	<p>4 m armored cable with barrier cable gland, ATEX/IECEX</p>
		<p>HEPZA10</p> 	<p>10 m armored cable with barrier cable gland, ATEX/IECEX</p>
		<p>HEPZT04</p> 	<p>4 m cable tail with conduit cable gland 3/4", UL</p>
		<p>HEPZT10</p> 	<p>10 m cable tail with conduit cable gland 3/4", UL</p>
		<p>HEPZWM</p> 	<p>AISI 316L stainless steel wall mount bracket</p>
		<p>HEPZPMA</p> 	<p>AISI 316L stainless steel pole adapter module</p>
		<p>HEPZCMA</p> 	<p>AISI 316L stainless steel corner adapter module</p>
		<p>HEPZPRM</p> 	<p>AISI 316L stainless steel parapet or ceiling mounting bracket</p>

ORDERING

HEPZ302W0	Network Explosion-Proof PTZ Dome, ATEX/IECEX/UL, 1/2.8" CMOS, 1080p Resolution, 30x Zoom, WDR, 4.5–135 mm MFZ, H.265/H.264, with Wiper, IP66, 24 VAC, -40°C to 60°C
------------------	---

For more information

www.honeywell.com/security/uk

Honeywell Security and Fire

Aston Fields Road
Whitehouse Industrial Estate
Runcorn
Cheshire WA7 3DL
Tel: 08448 000 235
www.honeywell.com

ADPRO, IntrusionTrace, LoiterTrace and Xtralis are trademarks of Xtralis Inc. ONVIF and the ONVIF logo are trademarks of ONVIF Inc. Honeywell reserves the right, without notification, to make changes in product design or specifications.

HSFV-HEPZ302W0-01-UK(0917)DS-E
September 2017
© 2017 Honeywell International Inc.

Honeywell